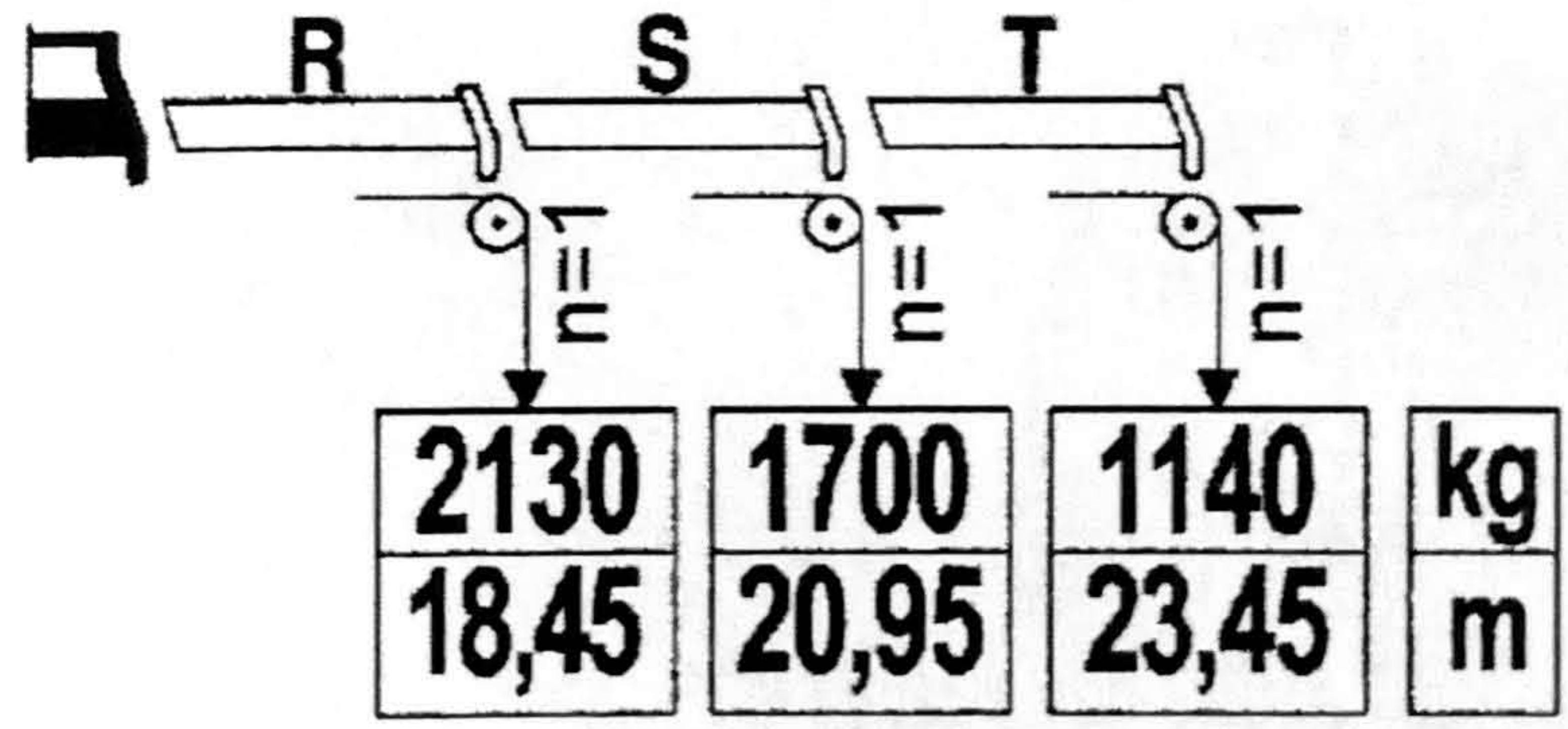
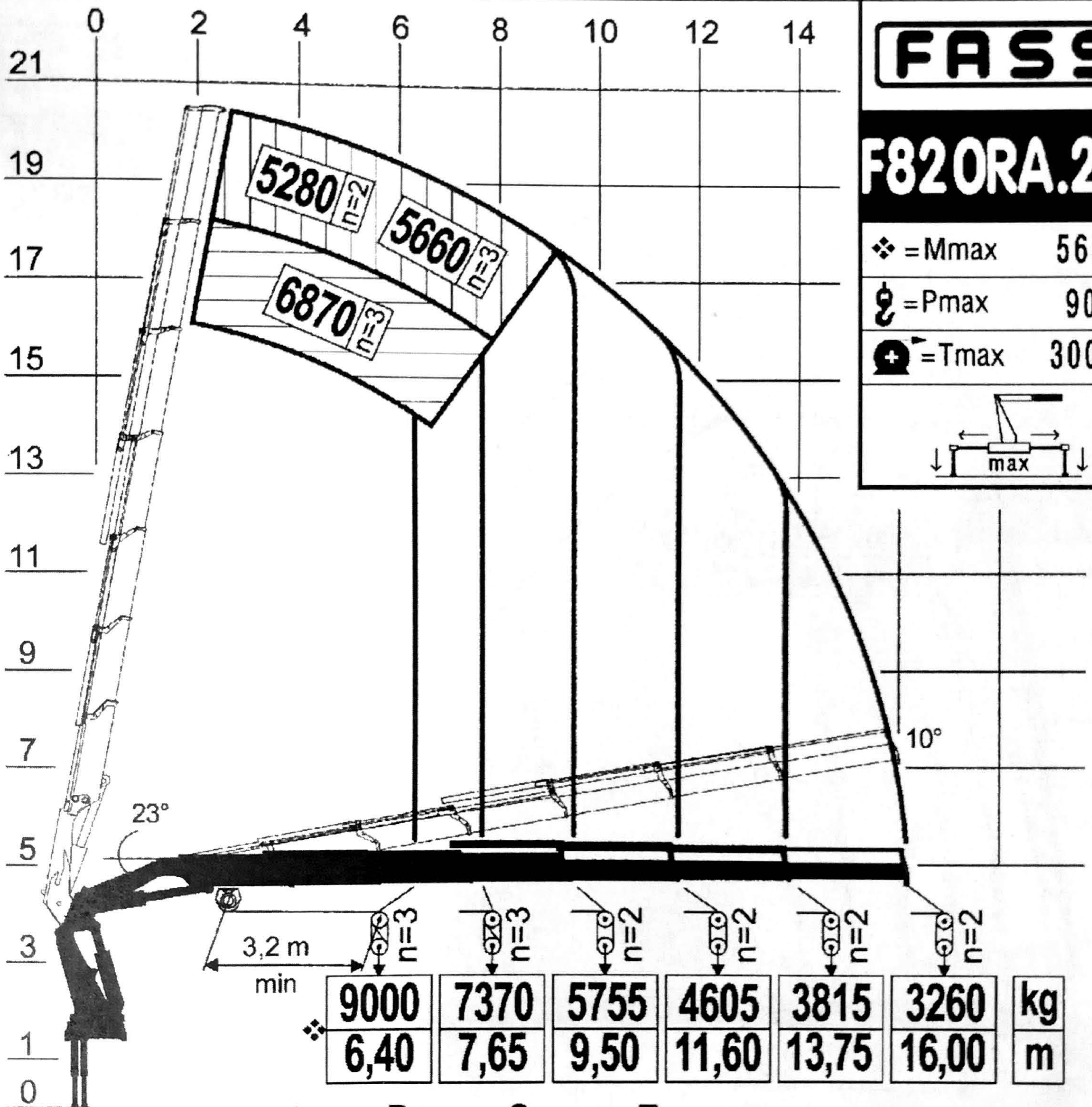
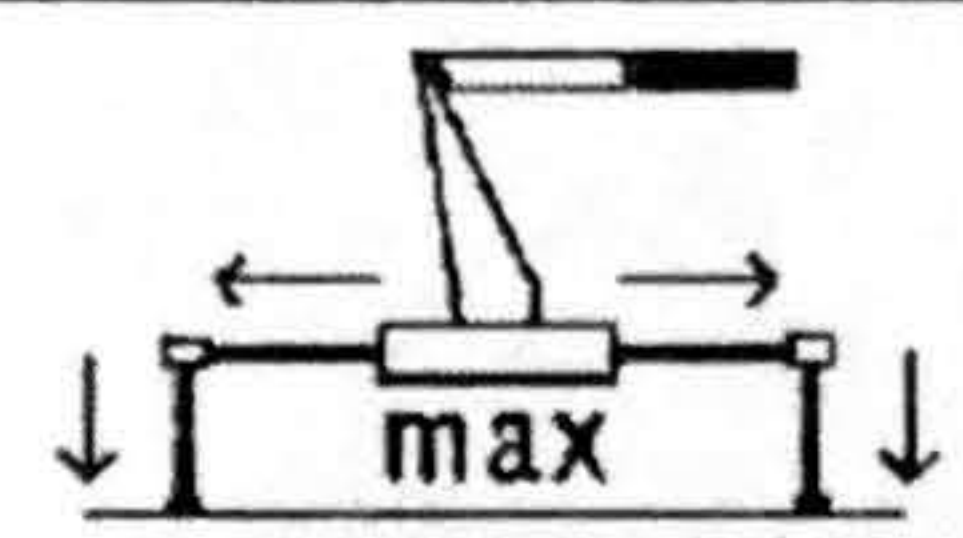


FASSI

F820RA.2.26

❖ = Mmax 565 kNm
 ⚙ = Pmax 9000 kg
 ⊕ = Tmax 3000 daN



kg R (128) S (101) T (70)

⊕ V30 (325) DE 14666